

Transmission Type...N4AEL/N4AHL

Rebuilder's Kwik
Reference Guide



Clutch Clearances

Forward Clutch.....	.031-.039"	Not Adjust.
Intermediate Clutch			
Direct Clutch.....	.035-.043"	Pressure Plate
Low/Reverse Clutch.....	.031-.041"	Pressure Plate
Reverse Clutch			
Overrun Clutch.....	.008-.015"	Pressure Plate
Overdrive Clutch			

Adjusted By:

Torque Specifications

Pump Halves.....	60 In. Lbs.
Pump To Case.....	43-51 Ft. Lbs.
Valve Body Halves.....	57-69 In. Lbs.
Valve Body To Case.....	96-132 In. Lbs.
Chain Cover To Case	
Pan.....	60 In. Lbs.
Center Support	
Extension Housing.....	14-18 Ft. Lbs.
Driven Sprocket Support	
Overdrive Support	
Chain Cover	
Transfer Gears	
Governor Bolts	
Bellhousing To Main Case.....	See Pump To Case
Idler Nut	
Endcover Bolts	
Sprag Race.....	108-156 In. Lbs.

Band Adjustment

Intermediate Band.....	10 Ft. Lbs.	3 Turns
2-4 Band			
Low/Reverse Band			
Overdrive Band.....	10 Ft. Lbs.	2 Turns

Unit Endplays

Front Unit .009-.020".....	Top Case Support.....	Washer
Middle Unit .020-.031".....	Bottom Case Support.....	Washer

Location

Selective

Rear Unit
Differential
Chain Sprocket

Transmission Type... N4AEL/N4AHL

Rebuilder's Kwik
Reference Guide



Clutch & Band/Solenoid Application Charts

Gear		Direct Clutch	OD Brake	OD 1-Way Clutch	Reverse Clutch	Forward Clutch	2nd Brake	Low/Reverse Brake	1-Way Clutch
Reverse		Applied		Applied		Applied		Applied	
D	1st	Applied		Applied	Applied				Applied
	2nd	Applied		Applied	Applied		Applied		
	3rd	Applied		Applied	Applied	Applied			
	OD		Applied		Applied	Applied			
S	1st	Applied		Applied	Applied				Applied
	2nd	Applied		Applied	Applied		Applied		
	3rd	Applied		Applied	Applied	Applied			
L	1st	Applied		Applied	Applied			Applied	
	2nd	Applied		Applied	Applied		Applied		

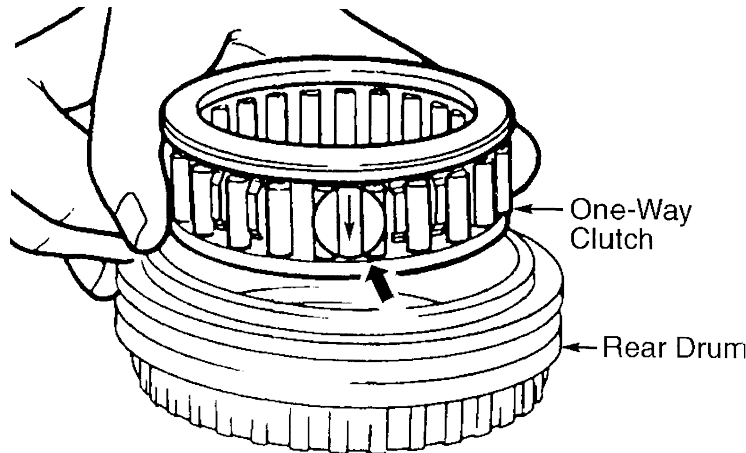
Solenoid Application Chart			
Gear	1-2 Solenoid	2-3 Solenoid	3-4 Solenoid
Reverse	Off	Off	On
1st	On	On	On
2nd	Off	On	On
3rd	Off	Off	On
OD	Off	Off	Off

Transmission Type...N4AEL/N4AHL

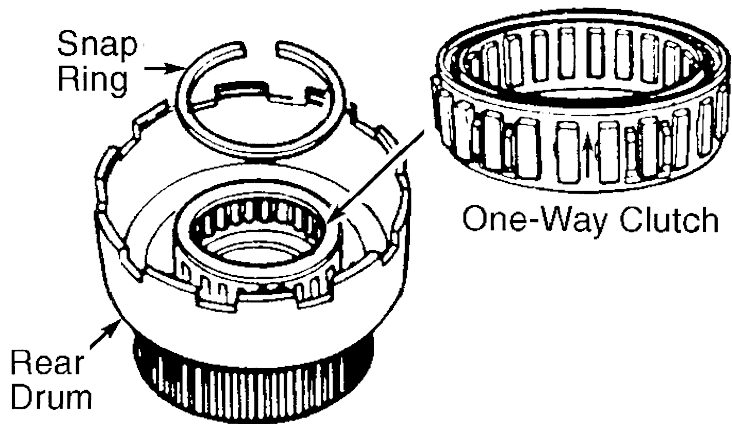
Rebuilder's Kwik
Reference Guide



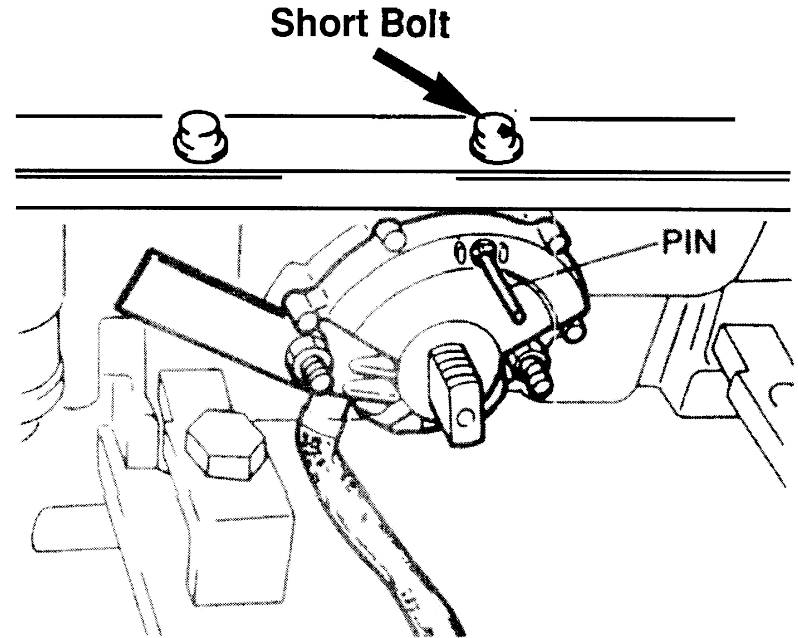
Technical Tips For Rebuilding This Unit



One-Way Clutch in Rear Drum
(B2200, B2600, Miata & MPV)



One-Way OD Clutch in Rear Drum
(RX7 & 929)

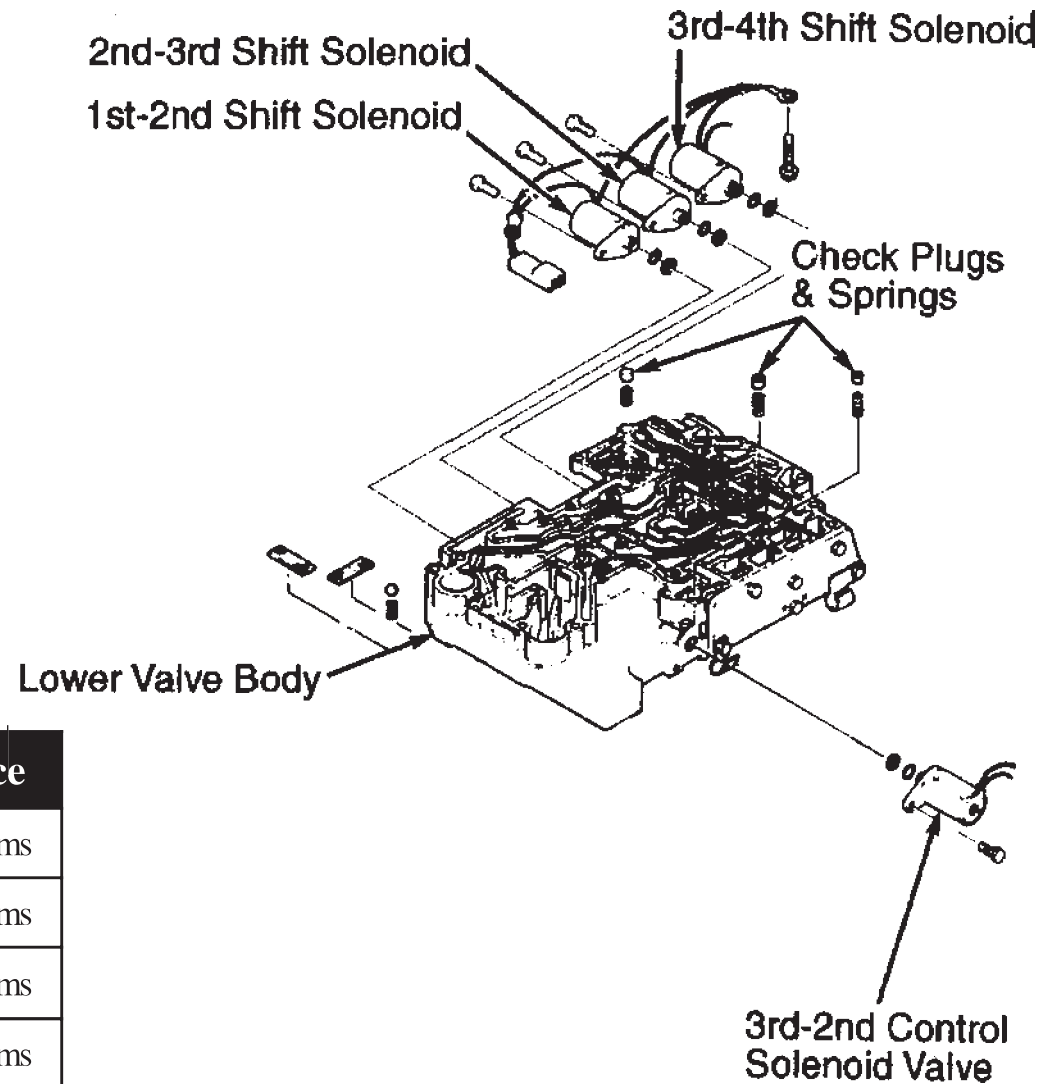
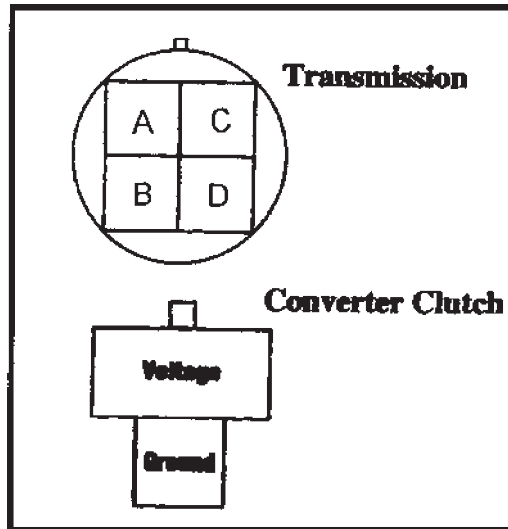


A longer bolt will damage the switch. Make sure the short bolt goes under the manual lever position switch.

Transmission Type... N4AEL/N4AHL



Solenoid & Harness Information



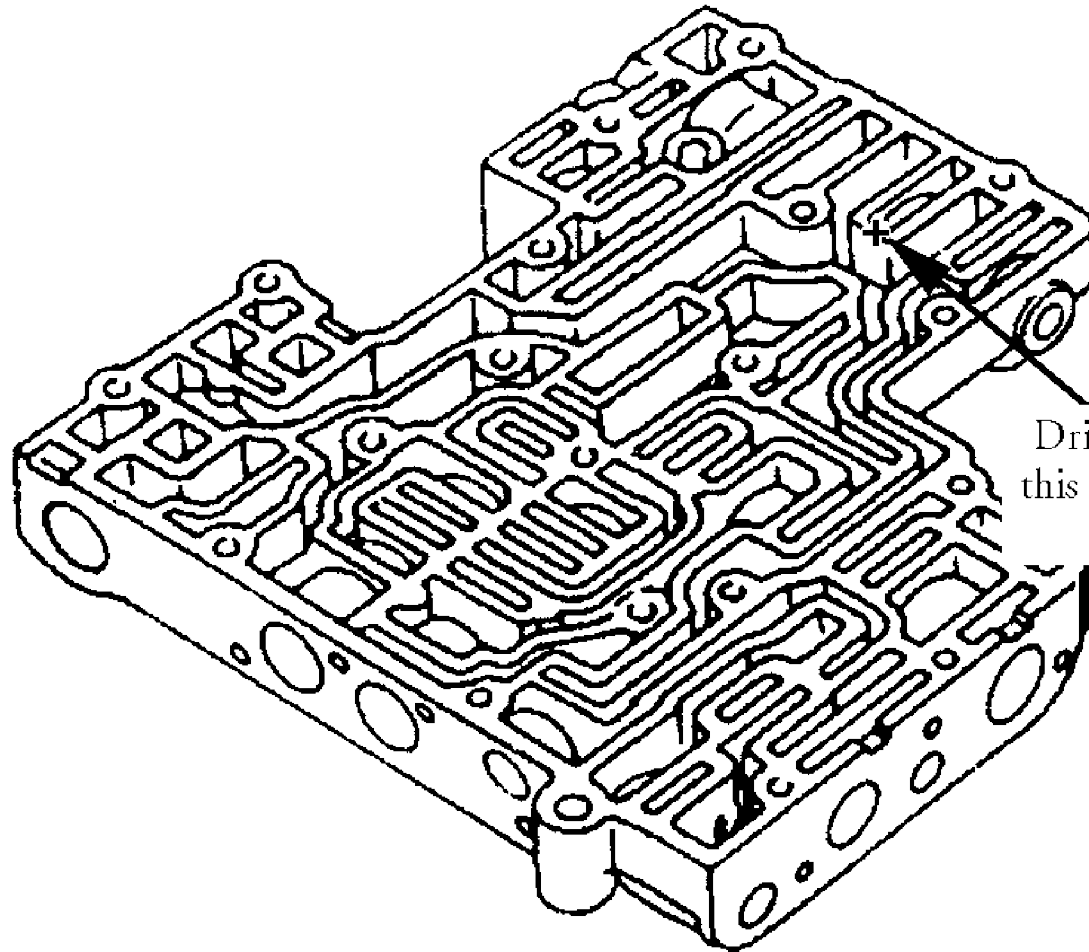
Letter	Description	Resistance
A	Shift Solenoid A	13 - 27 Ohms
B	Shift Solenoid B	13 - 27 Ohms
C	Shift Solenoid C	13 - 27 Ohms
D	Shift Solenoid D	13 - 27 Ohms

Transmission Type...N4AEL/N4AHL

Rebuilder's Kwik
Reference Guide



Line to Lube Modification



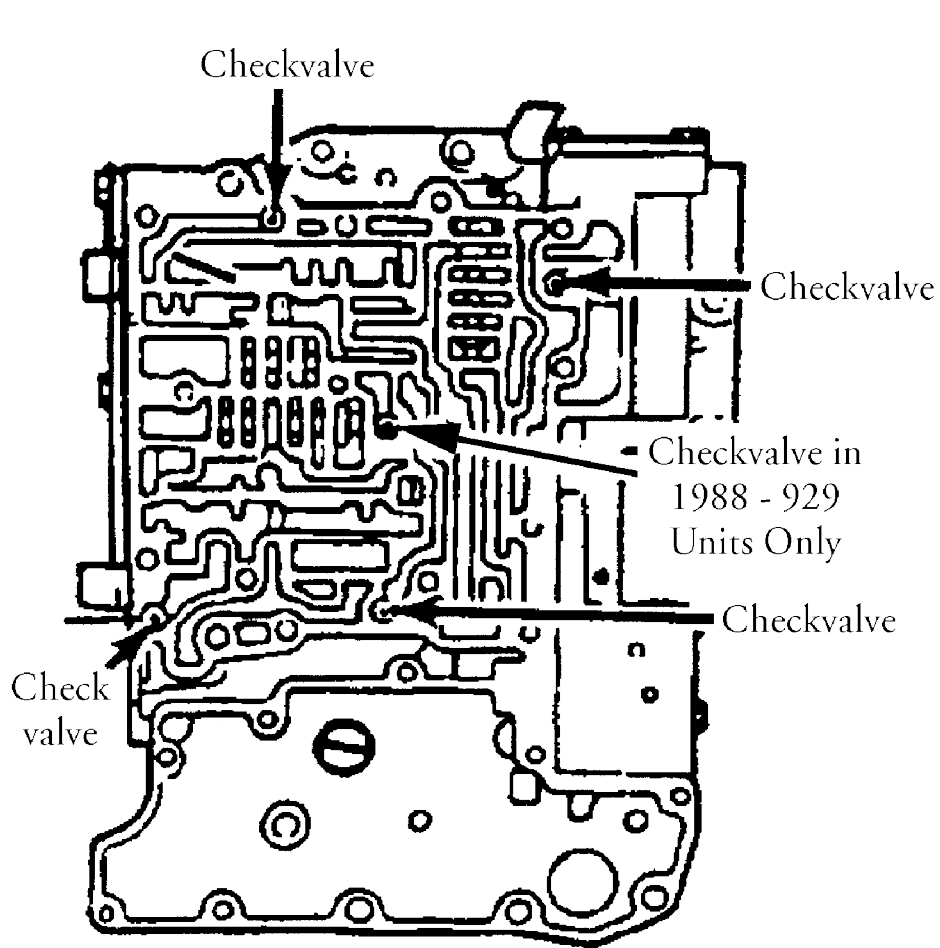
Drill a .050" hole anywhere through this casting to provide full time cooler flow, preventing lube failure.

Transmission Type... N4AEL/N4AHL

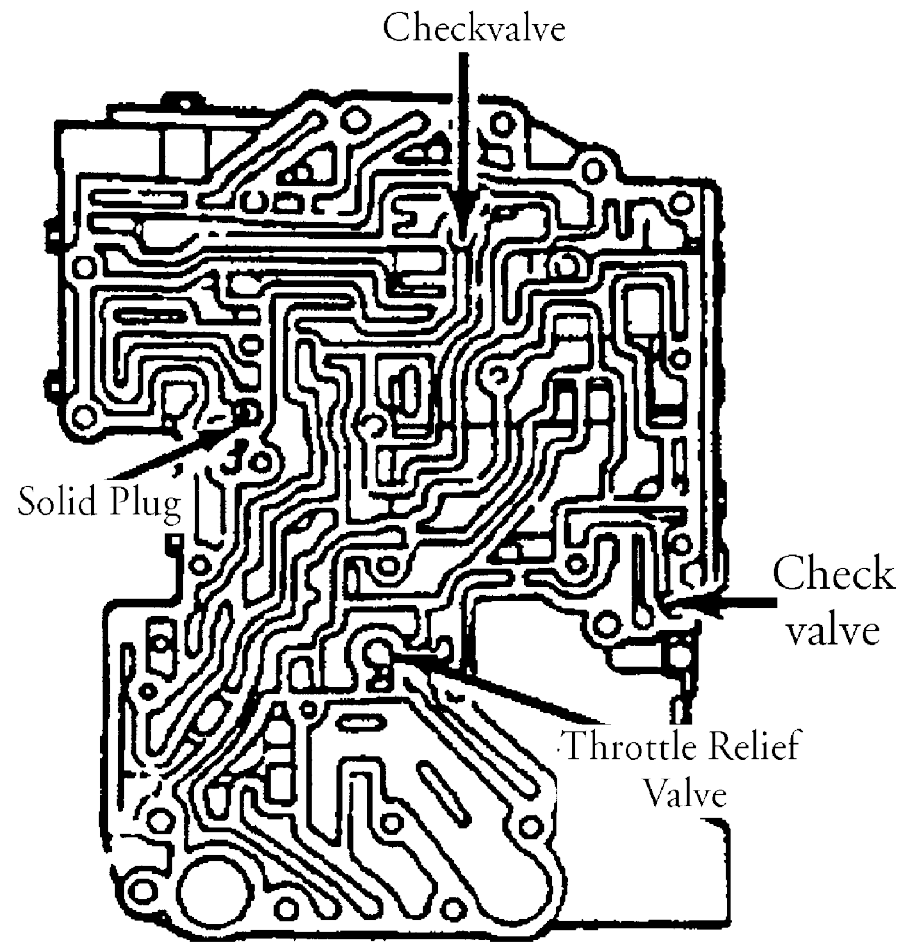
Rebuilder's Kwik
Reference Guide



Checkball Locations N4AEL



VALVE BODY COVER SIDE



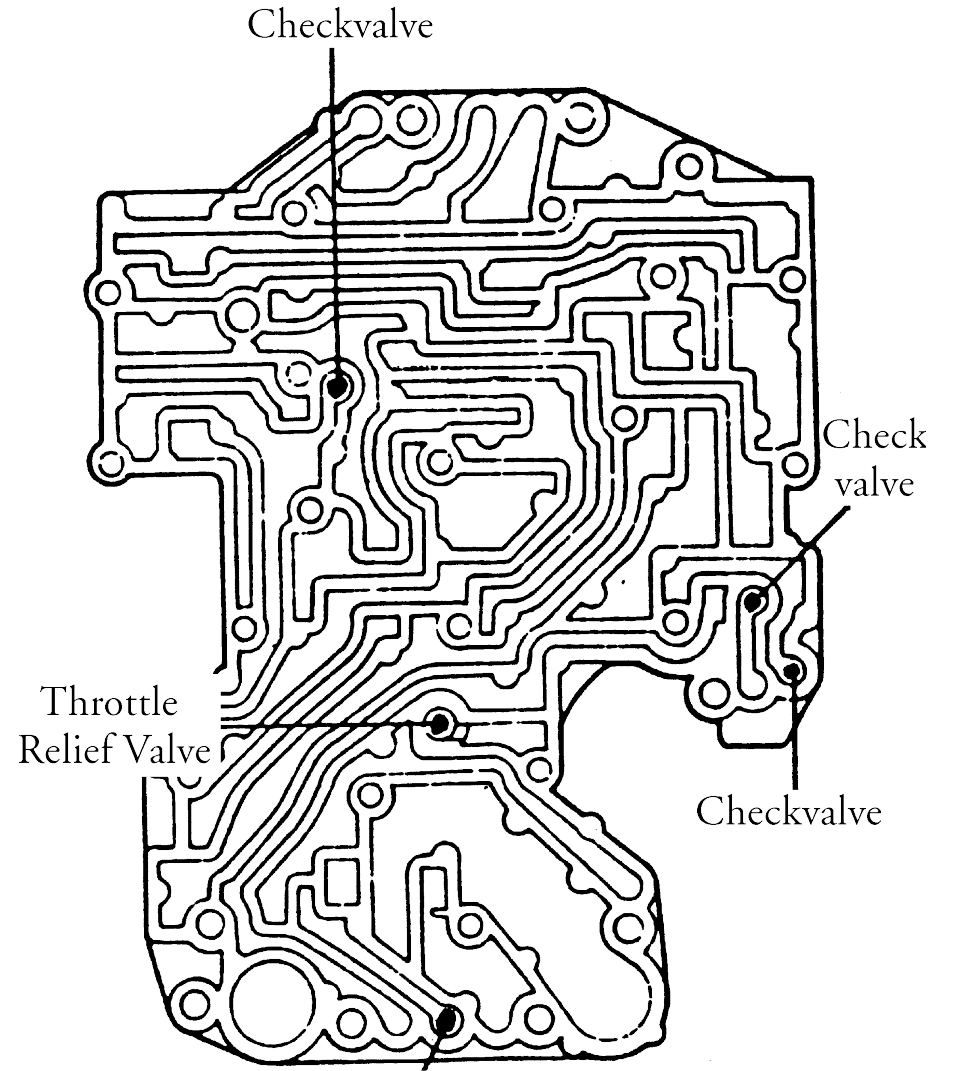
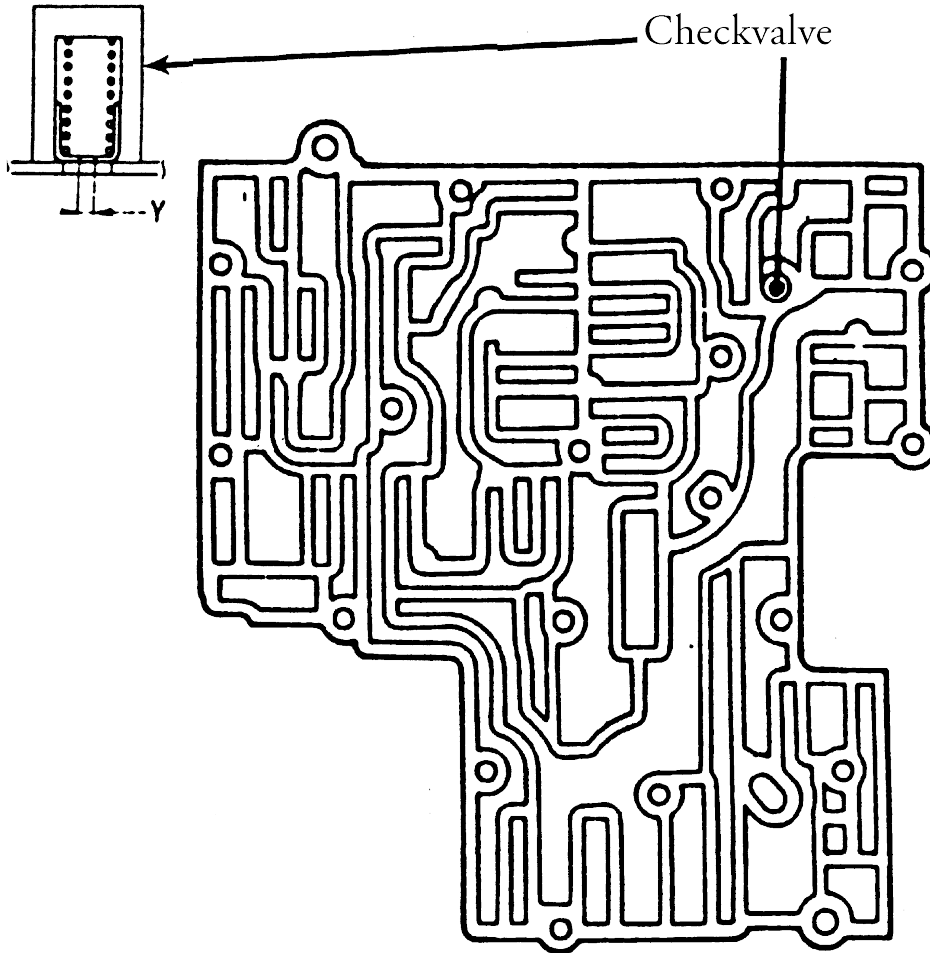
UPPER VALVE BODY SIDE

Transmission Type...N4AEL/N4AHL

Rebuilder's Kwik
Reference Guide



Checkball Locations N4AHL



Checkvalve in
1988 - 929 Units Only