



# SERVICE PLUS TECHNICAL BULLETIN

**Manufacturer:** General Motors

**Service Plus Group:** 09-06-0605

**Subject:** Air Conditioning is Not Cold Enough (Replace Condenser)

**Model:** 2002 Buick Rendezvous  
2001-2002 Chevrolet Venture  
2001-2002 Oldsmobile Silhouette  
2001-2002 Pontiac Aztek, Montana

Some customers may comment that the HVAC (Heating, Ventilation and Air Conditioning) system does not get cold enough. You may find that the condenser is cracked and leaking at the lower right attachment bracket.

To correct this problem, replace the condenser with an updated design part. Use the following procedure to install a new condenser and modify the way the condenser is mounted to the radiator in the vehicle.

1. Remove the condenser using the steps given in the Condenser Replacement procedure in the Service Instructions.
2. The new condenser will be installed using the steps in the Condenser Replacement procedure in Service Instructions, with the exception of two changes in the way the condenser is mounted on the radiator.
3. Refer to (1) and (2) in the illustration on the next page to find the locations where the condenser to radiator mounting will be changed.
4. At (2), (lower right attachment bracket), the new condenser will not have a hole in the bracket. Discard the bolt and J-nut that was used at this location with the original condenser.
5. At (1), (upper left attachment bracket), install a new J-nut, P/N 10335492, on the slotted condenser attachment bracket. Reuse the bolt that was in this location with the original condenser.
6. Perform all the rest of the steps listed in the replacement procedure.

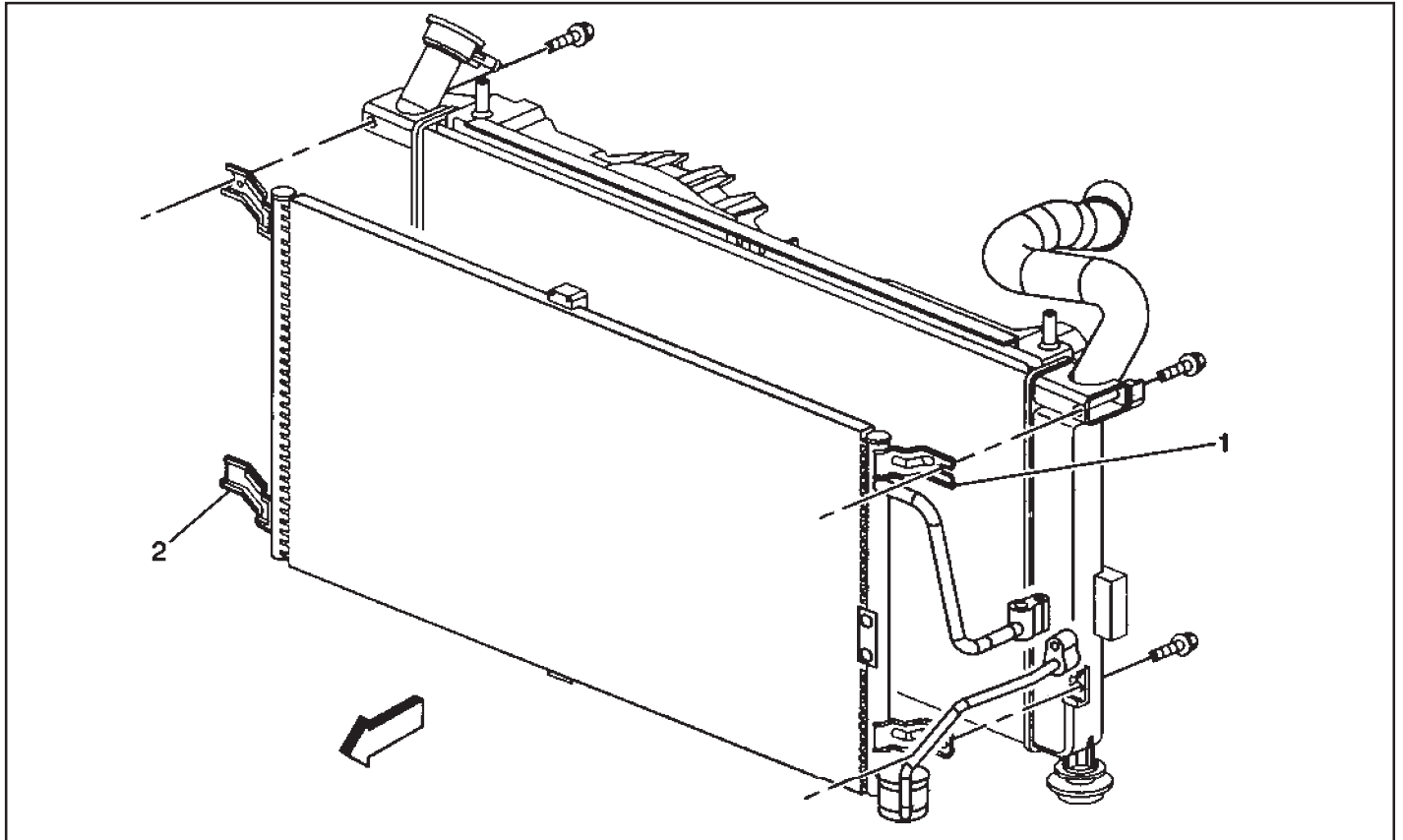
**CONTINUED...**



# SERVICE PLUS TECHNICAL BULLETIN

Service Plus Group:

09-06-0605



## Parts Information

Part Number	Description	Qty
10339103	Condenser (Painted Black - Rendezvous, Aztek, Montana)	1
10339104	Condenser (Unpainted - Venture, Silhouette)	1
10335492	J-nut	1