

# Transmission Type...A518/46RH/46RE

## Rebuilder's Kwik Reference Guide



### Clutch Clearances Adjusted By:

Forward Clutch.....	.025-.045"	.....	Snap Ring
<b>Intermediate Clutch</b>			
Direct Clutch (4 Plate).....	.067-.134"	.....	Snap Ring
(5 Plate).....	.075-.152"	.....	Snap Ring
<b>Low/Reverse Clutch</b>			
<b>Reverse Clutch</b>			
Overrun Clutch.....	Static Apply--No Clearance ....	Not Adjust.	
Overdrive Clutch:			
3 Clutch.....	.024-.045"	.....	Not Adjust.
4 Clutch.....	.032-.060"	.....	Not Adjust.

### Band Adjustment

Intermediate Band.....	72 In. Lbs. ....	2.5 Turns
<b>2-4 Band</b>		
Low Reverse Band .....	72 In. Lbs. ....	2 Turns
<b>Overdrive Band</b>		

### Torque Specifications

Pump Halves .....	15 Ft. Lbs.
Pump To Case .....	15 Ft. Lbs.
Valve Body Halves .....	35 In. Lbs.
Valve Body To Case.....	96 In. Lbs.
<b>Chain Cover To Case</b>	
Pan .....	12 Ft. Lbs.
<b>Center Support</b>	
Extension Housing .....	32 Ft. Lbs.
<b>Driven Sprocket Support</b>	
<b>Overdrive Support</b>	
<b>Chain Cover</b>	
<b>Transfer Gears</b>	
Governor Bolts .....	96 In. Lbs.
<b>Bellhousing To Main Case</b>	
<b>Idler Nut</b>	
<b>Endcover Bolts</b>	
Low Roller Outer Race to Case Bolts .....	12 Ft. Lbs.

### Unit Endplays

Front Unit .022-.091" .....	Back of Pump .....	Thrust Washer
<b>Middle Unit</b>		
Output Shaft .006-.048" .....	Rear Output Shaft .....	Snap Ring
Intermediate Shaft .....	Shaft .....	Spacer Ring
<b>Chain Sprocket</b>		

### Location

### Selective

# Transmission Type...A518/46RH/46RE

## Rebuilder's Kwik Reference Guide



### Clutch & Band/Solenoid Application Chart

Lever Position	Front Clutch (Kickdown)	Rear Clutch	Lock-Up Clutch	Overrunning Clutch	Front Band	Rear Band (Low/Reverse)	Overdrive Clutch	OD Overrunning Clutch	OD Direct Clutch
Reverse	Applied					Applied			Applied
Over Drive	1st	Applied		Applied				Applied	Applied
	2nd				Applied			Applied	Applied
	3rd	Applied	Applied					Applied	Applied
	OD	Applied	Applied				Applied		Applied
2nd	1st	Applied		Applied				Applied	Applied
	2nd	Applied			Applied			Applied	Applied
Low (1st)		Applied		Applied		Applied		Applied	Applied

### 42 RE Solenoid Application Chart

Gear	Overdrive Solenoid	Lock-Up Solenoid	Governor Pressure Solenoid
1st	Off	Off	Select Duty
2nd	Off	Off	Select Duty
3rd	Off	On/Off	Select Duty
4th	On	On/Off	Select Duty

### 46 RE Solenoid Application Chart

Gear	Overdrive Solenoid	Lock-Up Solenoid	Governor Pressure Solenoid
1st	Off	Off	Select Duty
2nd	Off	Off	Select Duty
3rd	Off	On/Off	Select Duty
4th	On	On/Off	Select Duty

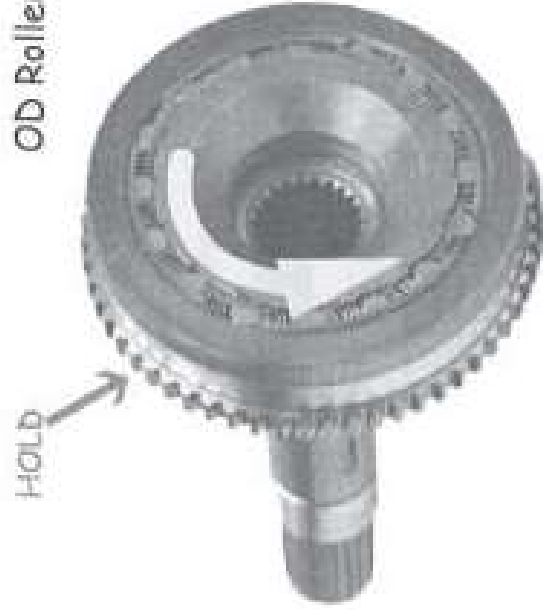
# Transmission Type...A518/46RH/46RE

Rebuilder's Kwik  
Reference Guide



## Technical Tips For Rebuilding This Unit

OD Roller Clutch

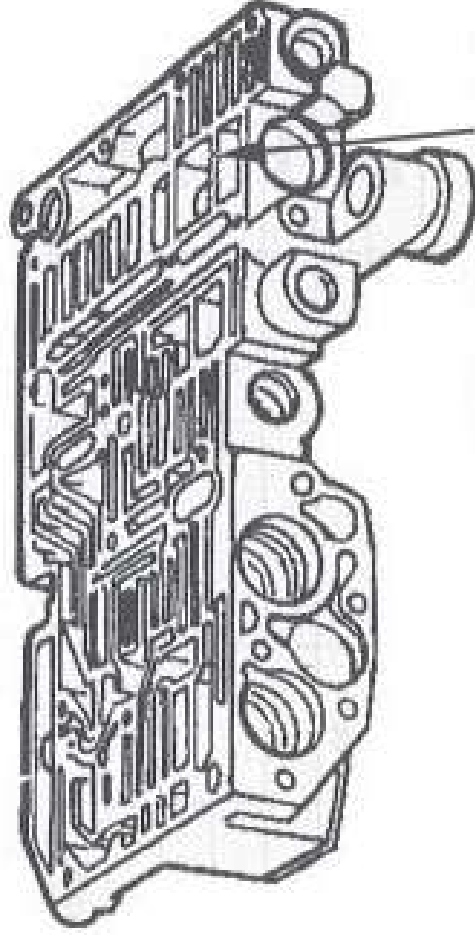


All RWD Chrysler



Low Roller Clutch

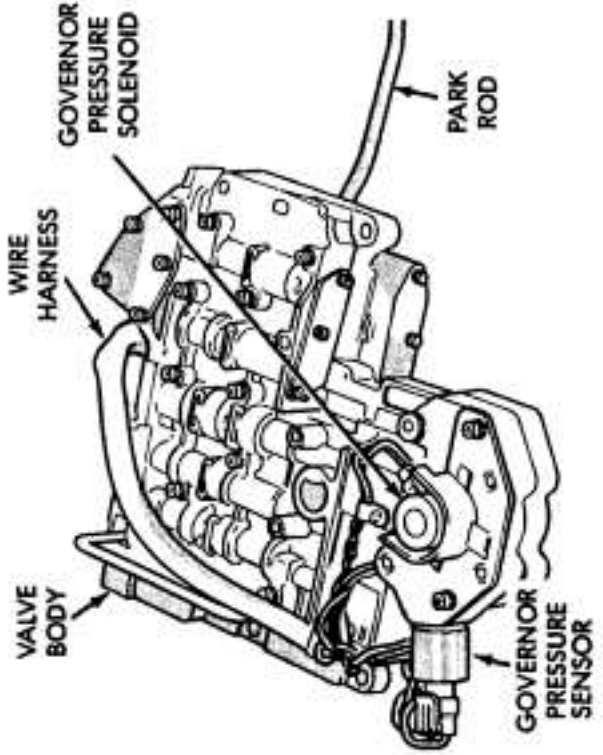
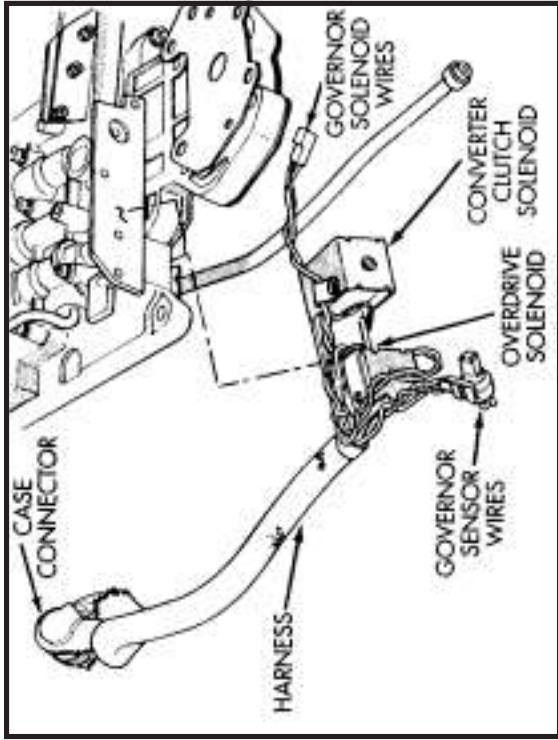
Upper Valve Body



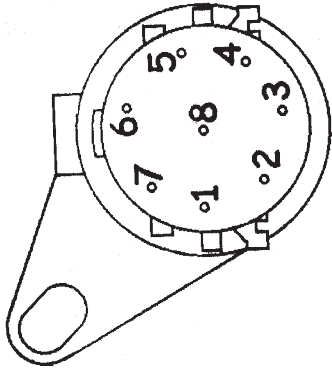
Drill a .042-.047" hole through this partition in the direction of the arrow to improve lube/converter flow.

# Transmission Type...A518/46RH/46RE

## Solenoid & Harness Information



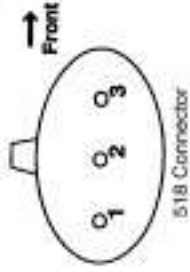
## Rebuilder's Kwik Reference Guide



42RE, 46RE, 47RE Connector

Connector Pin #	Vehicle Function
1	12 Volt Supply
2	5 Volt Supply
3	Sensor Ground
4	Governor Pressure Signal
5	Governor Pressure Solenoid Control
6	Overdrive Solenoid Control
7	TCC Solenoid Control
8	TOT

Transmission Case Connector:



518 Connector

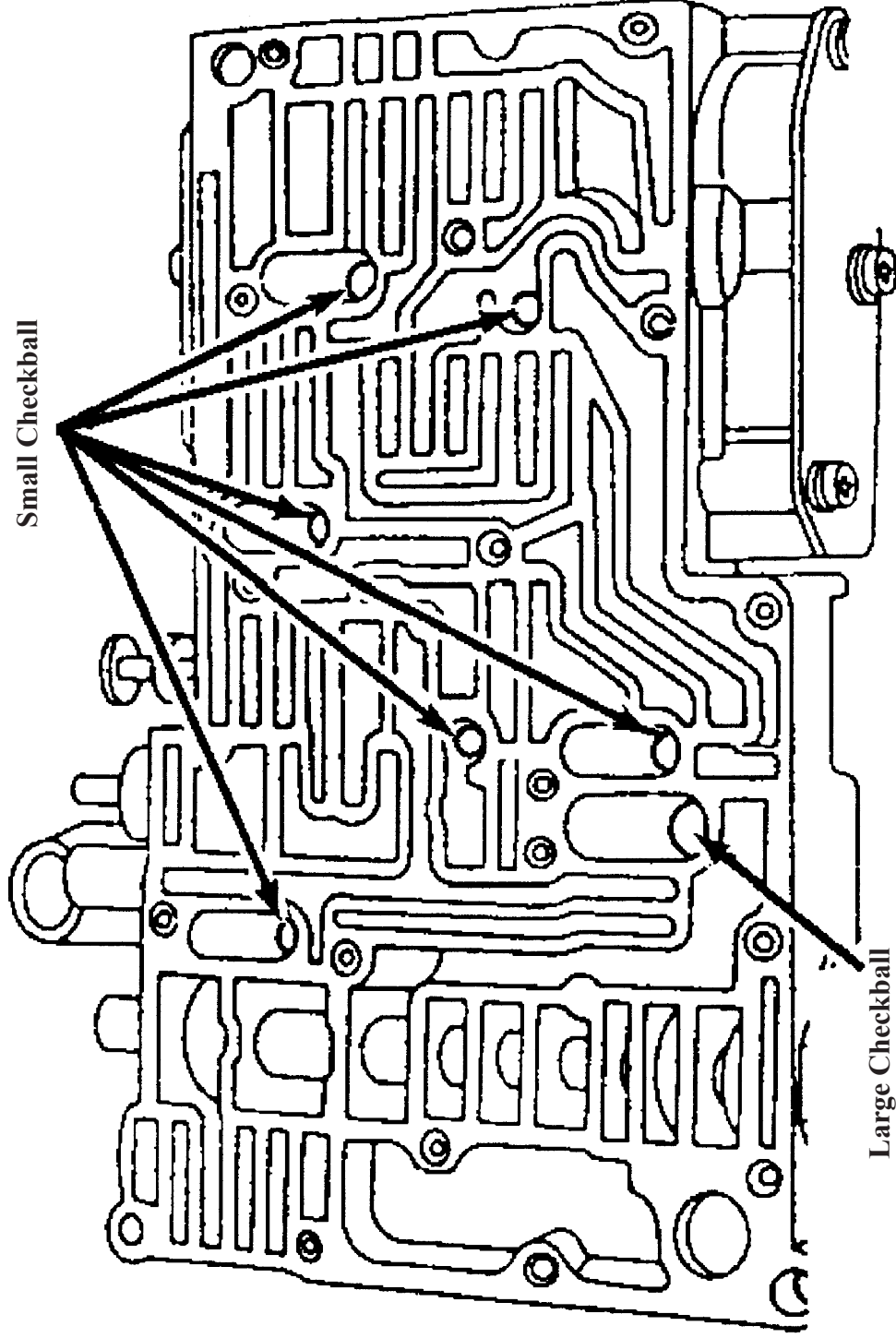
Pin #	Description	Resistance
1	3-4 Shift Solenoid	35 - 45 Ohms
2	Power	-
3	Lock-Up Solenoid	35 - 45 Ohms

# Transmission Type... A518/46RE/46RH

## Rebuilder's Kwik Reference Guide



### Checkball Locations - Valve Body

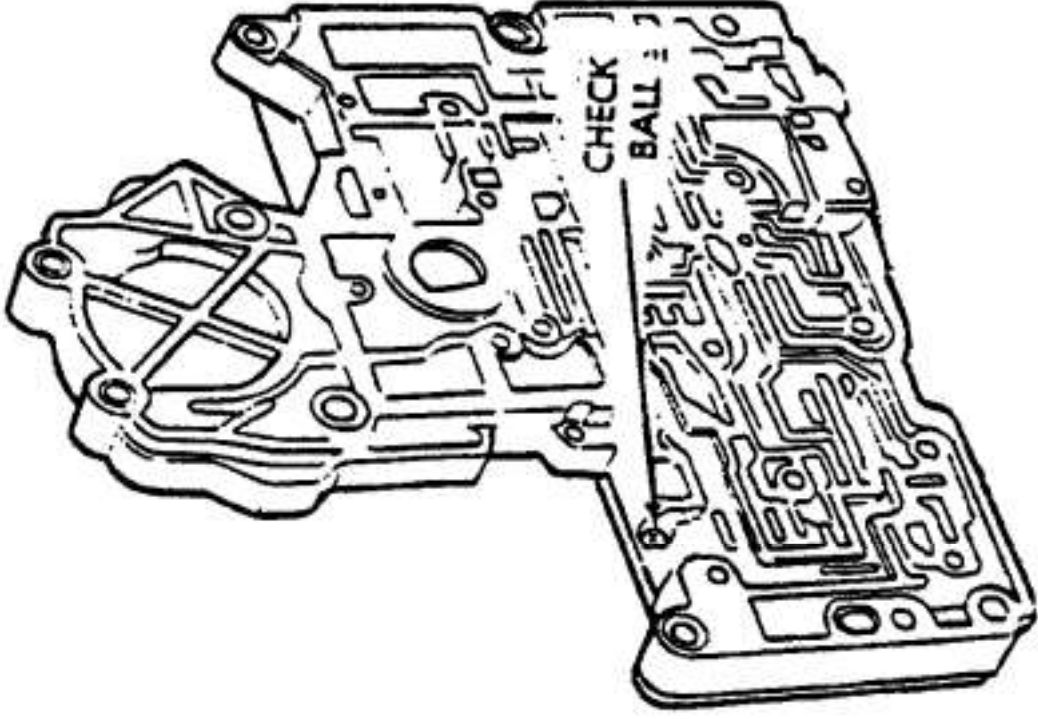
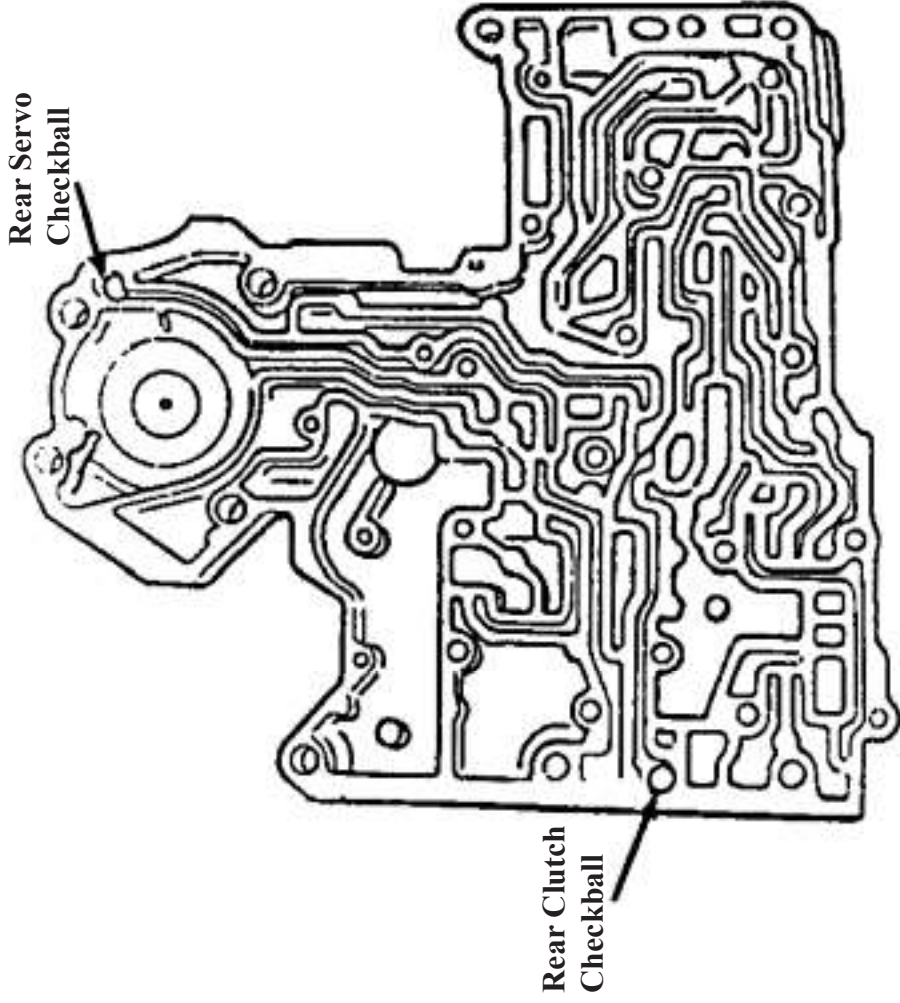


# Transmission Type...A518/46RH/46RE

## Rebuilder's Kwik Reference Guide



### Checkball Locations - Transfer Plate



Transfer Plate - Lower Valve Body Side